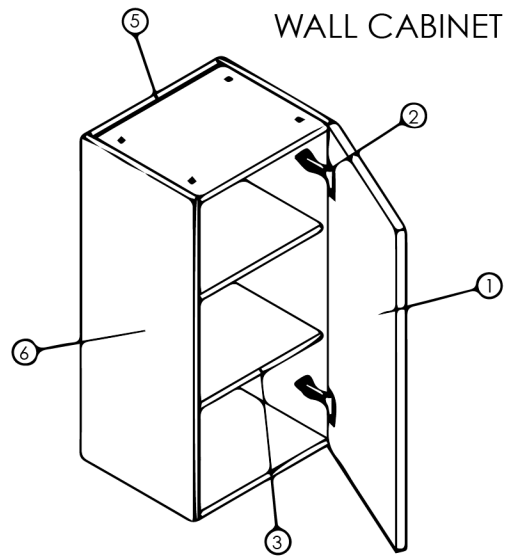
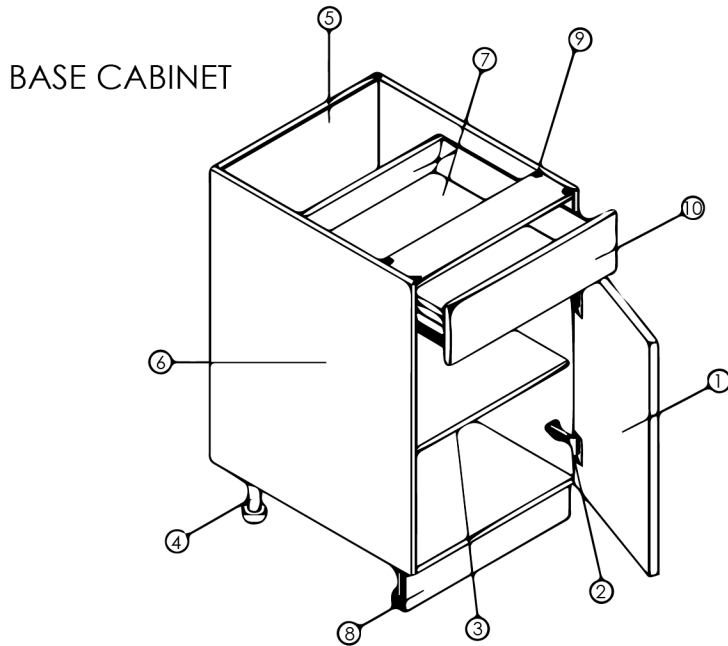
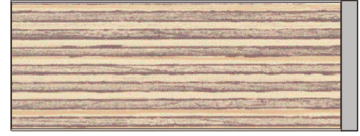




Plywood Construction

Infinity is built to last. It is manufactured to precise standards using all particle or plywood construction. All hinges and drawer glides are fully adjustable and utilize soft close technology for a luxury look and feel.

- ① Door Panel
- ② Six-way adjustable soft-close hinge
- ③ 3/4" (18mm) melamine laminated plywood board shelf
- ④ Adjustable legs under base cabinet
- ⑤ Back panel enforced with 3/4" (18mm) plywood board
- ⑥ 3/4" (18mm) plywood board side panels
- ⑦ 5/8" (16mm) melamine laminated plywood board bottom panel & back panel of the drawer
- ⑧ Toe-kick of matching door material or aluminum
- ⑨ Easy-to-install cam-lock system with dowels for extra strength
- ⑩ Full-access soft-close adjustable drawer system



Features

Side Panel, Shelving, and Bottom Panel

3/4" (18mm) plywood board with creamy white color melamine laminate on both sides and PVC edge banding of matching color.

Drawer Panel

Drawer bottom & back panel apply 5/8" (16mm) plywood board, with creamy white color melamine laminate on both sides and PVC edge banding of matching color.

Back Panel

Top & bottom rail of 3/4" (18mm) plywood, 1/4" (6mm) MDF cored.

Drawer Hardware

Full-extension soft-close drawer glides of 500mm glide length

Hinge Hardware

Adjustable 110 degree opening soft close-hinges, easy to install.

Adjustable Leg

Adjustable leg height ranges from 4 1/2" to 5 1/2". Suitable for aluminum alloy toe-kick and matching door panel toe-kick