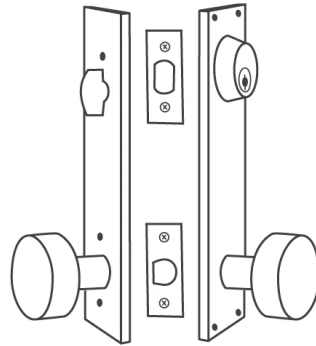


Door Hardware: Function Options

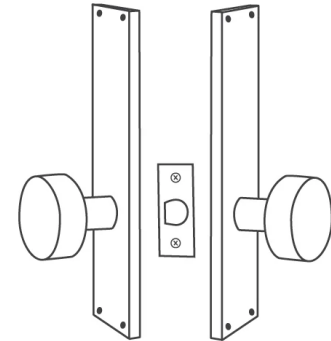
KEYED

- Locks with single cylinder deadbolt
- Primarily used on exterior doors



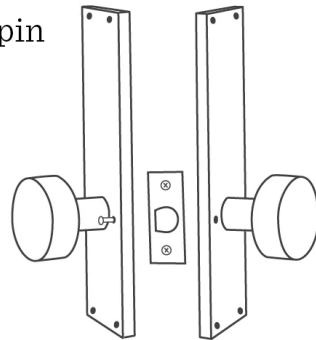
PASSAGE

- Non-locking
- Primarily used on interior doors



PRIVACY

- Locks with privacy pin
- Primarily used on bedroom and bathroom doors



DUMMY

- Non-turning and non-locking
- Used on inactive side of double doors
- Also used on closets

