

910 SERIES

Vinyl Patio Door

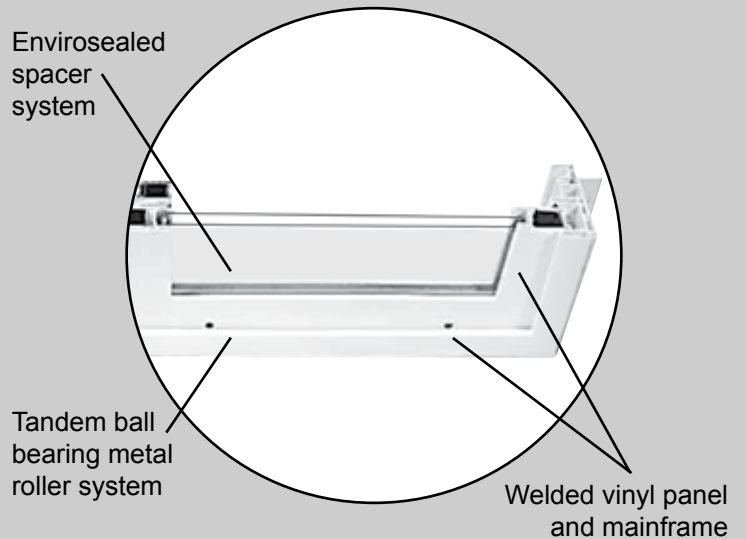
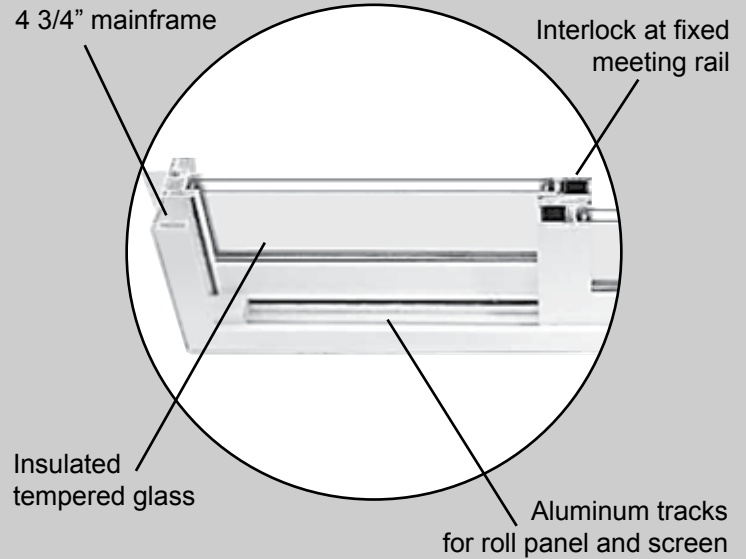


Quality, Value, and Peace of Mind.

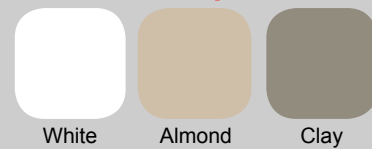
The 910 vinyl patio door offers superior style and traditional craftsmanship with features like aluminum tracks and insulated tempered glass. This crafted style is made even stronger through advanced engineering details like a welded vinyl mainframe and panel design. With additional options like interior wood grains and heavy-duty screens, the 910 patio door is an ideal solution for any project, offering exceptional quality, value, and peace of mind.

MIWD's 910 Series patio door is available in two- and three-panel configurations.

Take a closer look at the 910 Patio Door



Color Options



Handle Finish Options



Actual colors may vary.

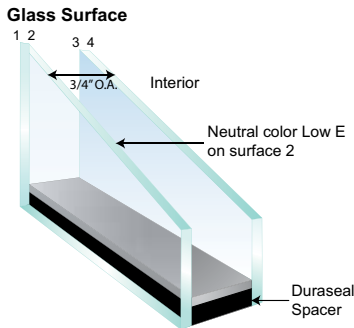
910 SERIES

Vinyl Patio Door



Glass Options

Insulated glass packages are offered as an upgrade to help you save heating and cooling costs while keeping your home more comfortable. In warm weather, insulated glass reduces solar heat gain, minimizes interior glare, and lowers interior glass temperature. In cool weather, insulated glass provides outstanding thermal performance with warmer interior glass surfaces to help save energy and maintain comfort during a cold winter.



Meets ENERGY STAR® requirements in North, North-Central, and South Central Zones.

*Argon gas optional in all Low-E glass packages.



Optional Exterior Lock

2-panel and 3-panel doors come standard with a single-point locking system. For added security and convenience, an exterior key lock is optional on the 910 patio door.



Grid Options

Flat and sculptured grids are available in standard and custom patterns.

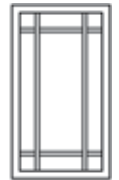


5/8" Flat Grids (between the glass)

11/16" Sculptured Grids (between the glass)



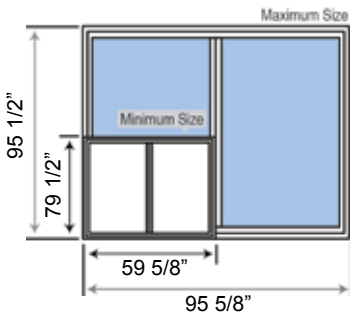
Colonial



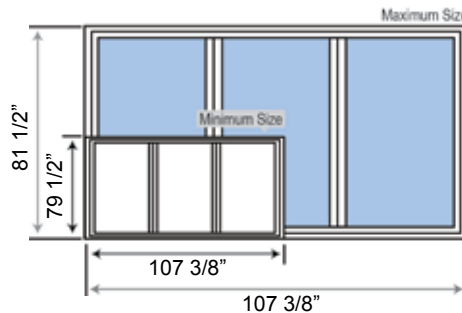
9-Lite Perimeter

Min. and Max. Frame Sizes

2 Panel

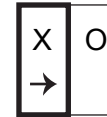


3 Panel

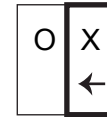


Panel Operation

2 Panel



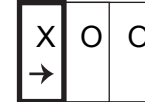
Left-hand operation



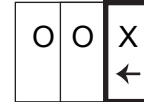
Right-hand operation

X = Moveable
O = Stationary

3 Panel



Left-hand operation



Right-hand operation

